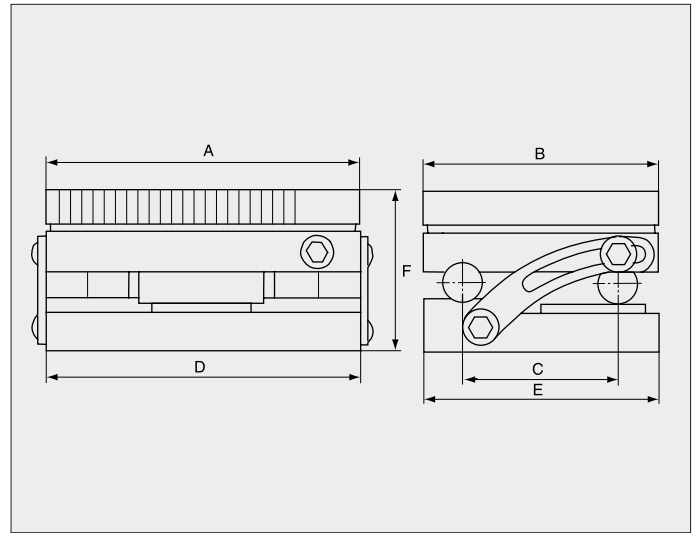
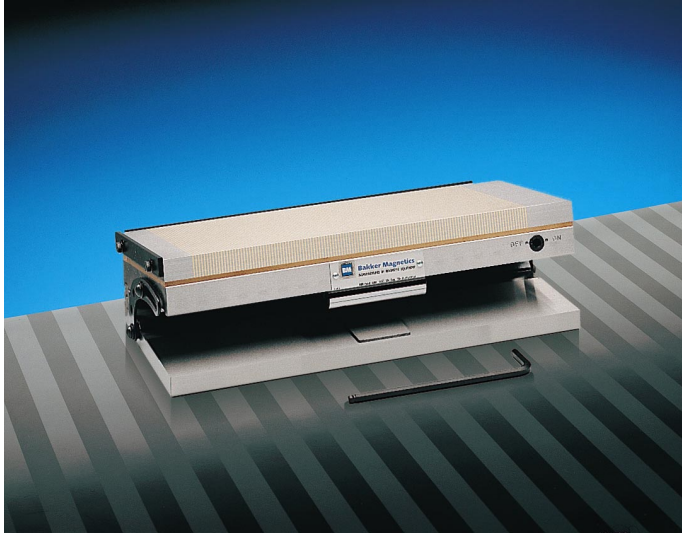


BM64.200 Series Neodymium Sine Tables

with chucks having pitch pole distribution single swivelling on the longitudinal axis

These precision sine tables are especially suitable for very accurate grinding operations of pieces of work with non-parallel faces. The angles can be set with the aid of the end guides. Because of their low height (77 mm), these types of sine table are usable in a wide range of

applications. Their robust construction guarantees a very long, maintenance-free life. The technical data for the chucks is identical to that for BM chucks from the series BM 68.001 to BM 68.210 inclusive. The sine tables are supplied with a sine chart and 2 end stops.



Art.no.	A	B	C	D	E	F	weight (kg)	
							net	gross
BM 64.200	150	100	75	150	100	77	7	9
BM 64.210	200	100	75	200	100	77	10	12
BM 64.201	255	130	100	255	130	77	16	18
BM 64.202	150	150	125	150	150	77	11	13
BM 64.203	250	150	125	250	150	77	18	21
BM 64.204	300	150	125	300	150	77	22	26
BM 64.205	350	150	125	350	150	77	26	30

All measurements in mm.

Other sizes and versions with double swivels on the longitudinal and transverse axis on request.